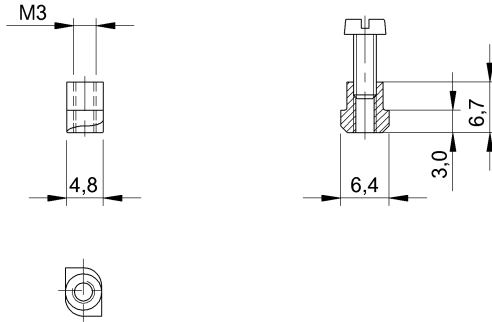


**BMF 305-HW-23**  
Ordering code: **BAM00LN**  
mounting bracket

**BMF Mounting clamp**

**BALLUFF**  
sensors worldwide



**Mechanical data**

Tightening torque max.	1.5 Nm
Ambient temperature Ta min.	-40 °C
Ambient temperature Ta max.	85 °C
Surface protection	Anodized
Slut style	
Material	Aluminum
Mounting of sensor	

**Basic data**

Application	AB300
Basic standard	BMF 305
Mounting instruction	acc. to mentioned standards
Scope of delivery	826425
	Mounting parts

**Remarks**

Definitions see main catalog

subject to change