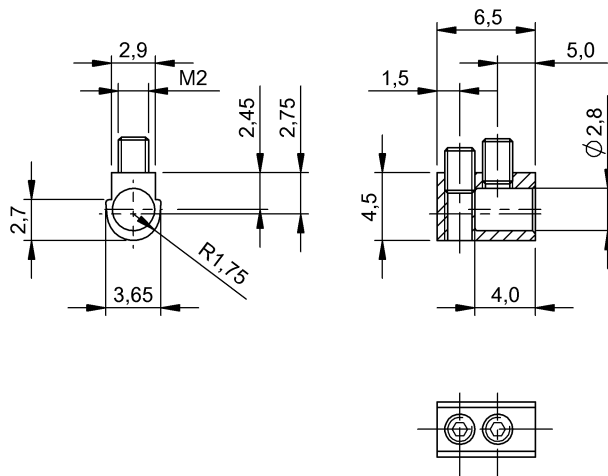


BMF 303-HW-30
Ordering code: BAM00L0
 mounting bracket

BMF Mounting clamp

BALLUFF
sensors worldwide



Mechanical data

Tightening torque max.	0.2 Nm
Ambient temperature Ta min.	-40 °C
Ambient temperature Ta max.	85 °C
Surface protection	Nickel-plated
Tightening torque for clamping	0.2 Nm
Slut style	
Material	CuZn
Mounting of holder	
Mounting of sensor	

Basic data

Application	AB300
Basic standard	BMF 303
Mounting instruction	acc. to mentioned standards
Scope of delivery	825531
	Tightening torque

Remarks

US Patent No. 6, 637, 279

Definitions see main catalog

subject to change